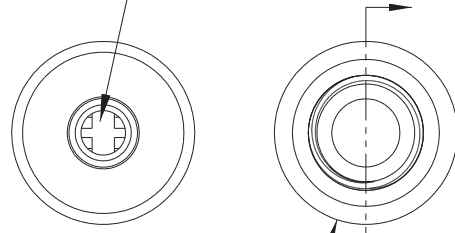
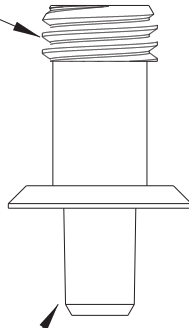


AFTER SHEAR OFF, INSERT SCREW DRIVER
HERE TO UNSCREW REMAINDER OF LOCATOR

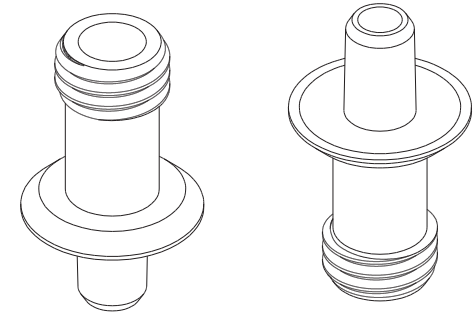
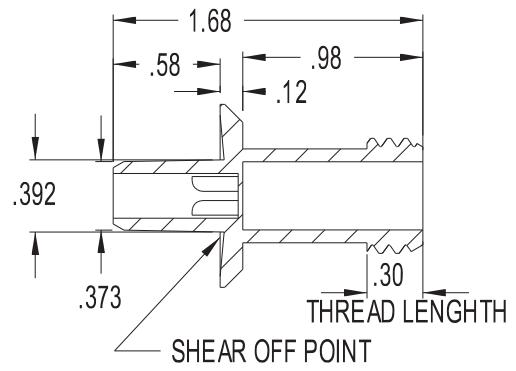


Ø 1.00

5/8-11 THREAD



THIS DIA. PRESS FIT FOR
A DRILLED 3/8" HOLE



POLYLOK 5/8" THREADED LOCATOR
PART NO. - 30382
MATERIAL - POLYPROPYLENE