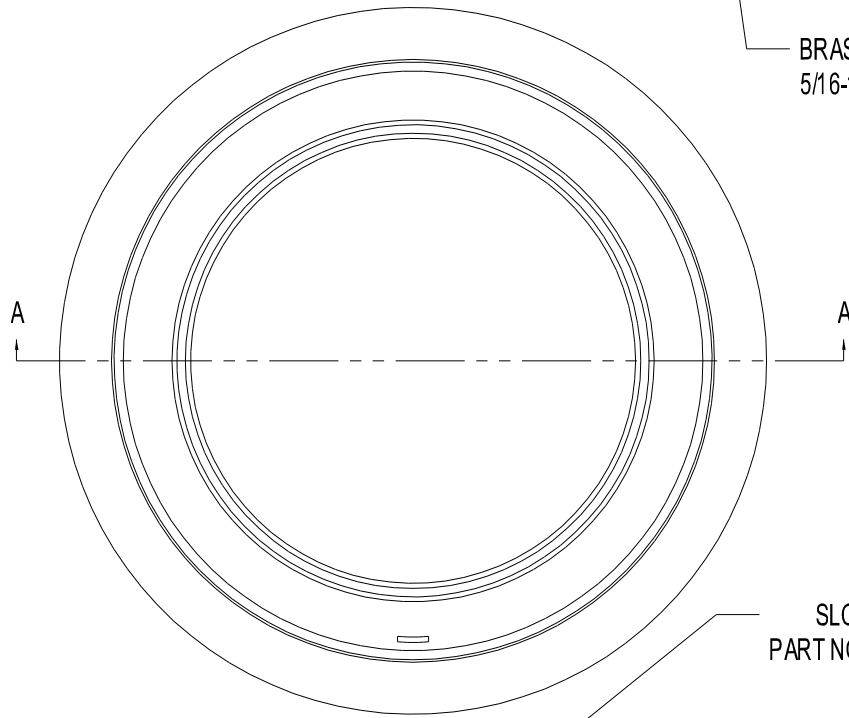
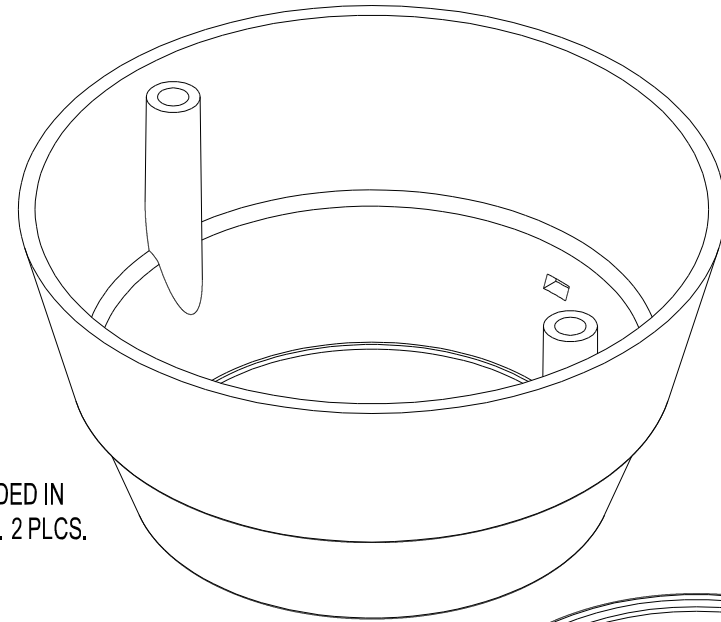
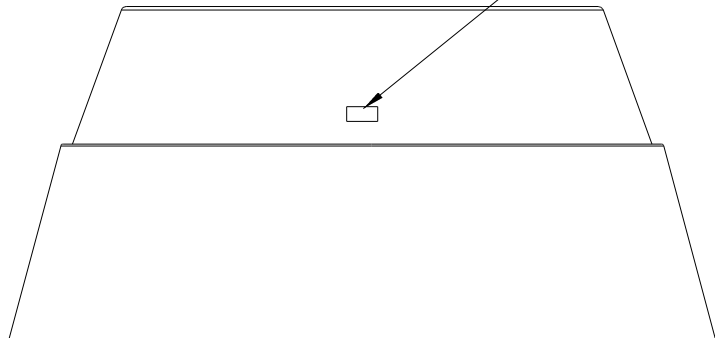
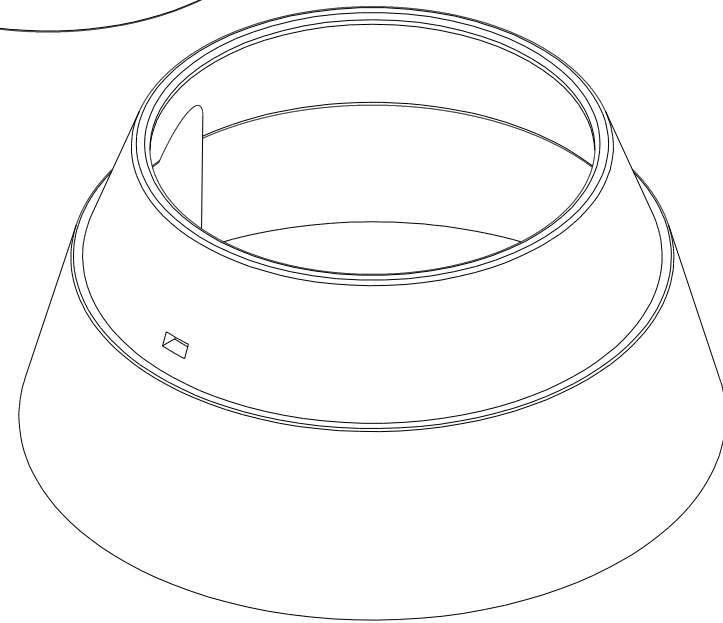


BRASS INSERT MOLDED IN  
5/16-18 THREAD TYP. 2 PLCS.



SLOT CAN BE USED TO LOCATE  
PART NO - 3021-3 UNIVERSAL ADAPTER TYPE III



TYPE III MANDREL 2 1/2" - 4"  
PART NO. - 3022  
MATERIAL - FILLED POLYPROPYLENE