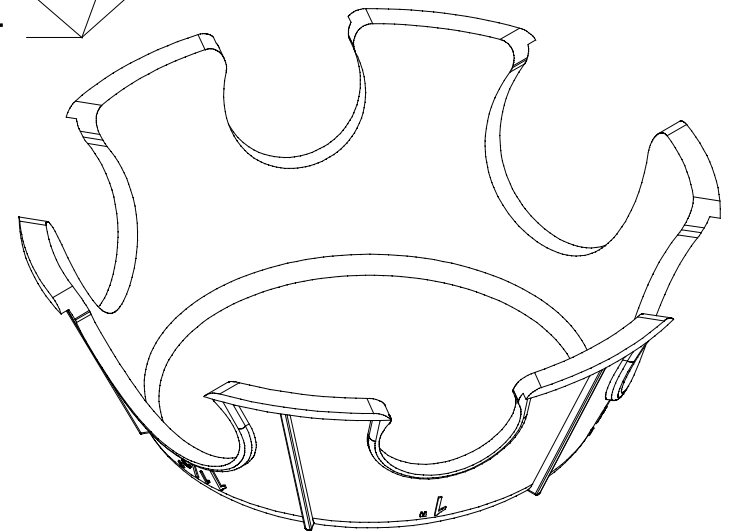
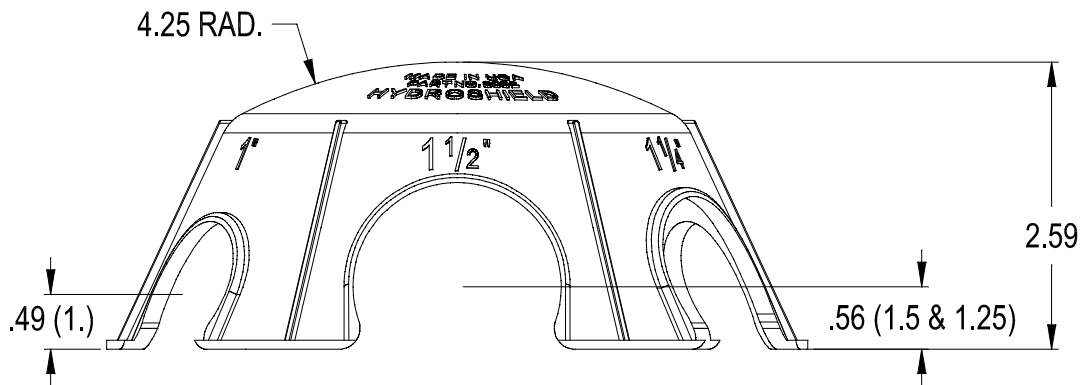


DETAIL PROVIDES A SNAP FIT
FOR 1", 1 1/4" & 1 1/2" PIPE



POLYLOK HYDROSHIELD
PART NO. 3082
MATERIAL - ABS